

HARDWARE / SPECIFICATIONS / FEATURES / ACCESSORIES

Large Standard Console



WA340E Series

Compact Standard Console



WA330E Series

Column / Wall Console



WA320E Series

Economy Console



WA310E Series

Power Requirements	115/230V, 15 amp*, 50/60 Hz, 1 ph †
Processor	Intel® Core™ i3 - 3.1Ghz (or greater)
Memory	4 GB of DDR3 SDRAM
Hard Drive	120.0 GB SSD (or greater)
DVD-RW/CD-RW Drive	Yes - Standard
Monitor Class	22" or 24" Widescreen LCD (Optional)
Wireless Network Module	Optional
Operating System	Windows® 7
Supports TD Targets	Yes - Standard (VAG Requires 20-2808-1-E)
Supports HD Targets	Yes - Standard
Color Ink Jet Printer	Optional
Award-Winning WinAlign® Software	Yes - Standard
Vehicle Specifications (30 plus years)	Yes - Standard - 2 Years Free Updates
CodeLink® Steering System Reset	Optional
Live Ride Height Adjustment	Optional
Fully Integrated Alignment	Yes (FIA Equipped Rack Required)
Modified Vehicle Alignment	Optional
Vehicle Inspection with Photos	Optional
Tools and Kits - Basic Catalog	Yes - Standard
Tools and Kits - Video and Photos	Optional
Equipment Video Help / Assistance	Optional
HunterNet featuring WebSpecs®	Yes - 2 Years Free Standard
Training and Productivity Aids	1,600+ Illustrations, 100+ Animations
Supports TouchRemote	Optional
Steering Wheel Holder	Yes - Standard
Brake Pedal Depressor	Yes - Standard
Drive-on Camera Compatible	Yes - Standard

* Amperage shown is minimal circuit rating † Isolated Ground Recommended

For aligner information visit:
www.hunter.com/alignment

For local contact visit:
www.hunter.com/company/findrep.cfm

For general inquiries visit:
www.hunter.com

Continued on Reverse



Because of continuing technological advancements, specifications, models and options are subject to change without notice.

SENSOR COMPATIBILITY

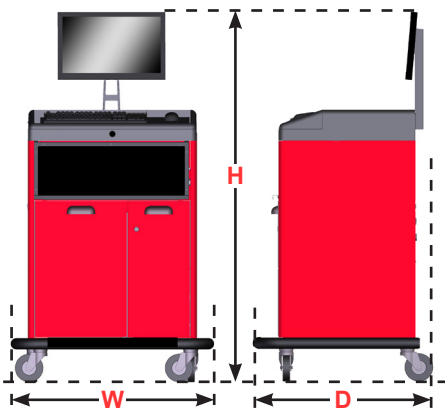
	DSP506T	DSP306T	HE421	HS421	HS401	DSP600	DSP400	DSP700	DSP500	DSP300
WinAlign® Version Required*	✓ V12.1	✓ V12.1	✓ V12.1	✓ V12.1	✓ V12.1	✓ V12.1	✓ V12.1	✓ V12.1	✓ V12.1	✓ V14.1
	Heavy Duty Sensors		Light Duty Sensors							

CONSOLE CONFIGURATIONS

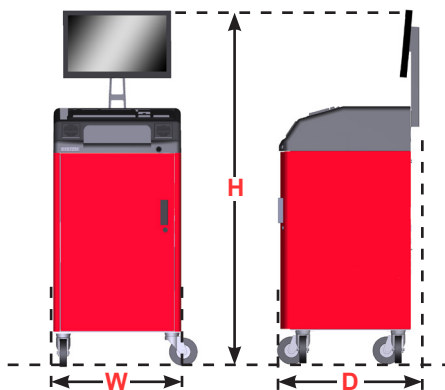
	WA340E	WA330E	WA320E	WA310E
Large Standard	✓			
Compact Standard		✓		
Economy Cabinet				✓
Column/Wall-mount			✓	
LCD	24 in. Widescreen	24 in. Widescreen	24 in. Widescreen	24 in Widescreen
Width (W)	36 in. 914 mm	23 in. 584 mm	30.5 in. 775 mm	22.5 in. 572 mm
Height (H)	70 in. 1778 mm	67 in. 1702 mm	42 in. 1067 mm	60 in. 1524mm
Depth (D)	30 in. 762 mm	23 in. 584 mm	23.5 in. 597 mm	24 in. 610 mm
Shipping Weight	407 lbs. 185 kg	292 lbs. 132 kg	298 lbs. 135 kg	214 lbs. 97 kg

*Space consideration for storage of accessories and targets: For large and compact consoles, add 36 inches (914mm) to width for HD targets, add 29 inches (737mm) to width for TD targets, and add 10 inches (254mm) to depth for accessories. For column mounted consoles, optional rear storage will require at least 16 inches (406mm) behind console.

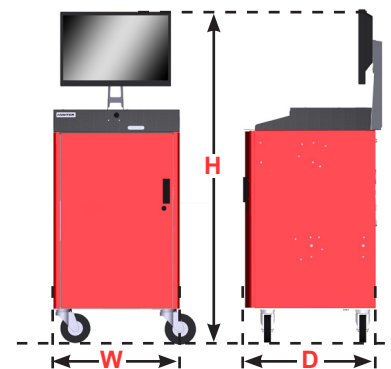
Large Standard Console



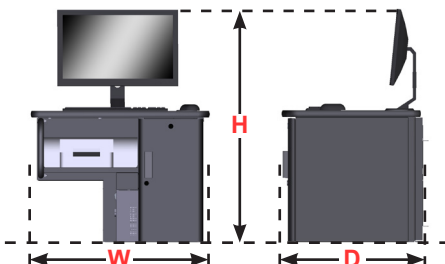
Compact Standard Console



Economy Console



Column / Wall Console



For aligner information visit:
www.hunter.com/alignment

For local contact visit:
www.hunter.com/company/findrep.cfm

For general inquiries visit:
www.hunter.com

Because of continuing technological advancements, specifications, models and options are subject to change without notice.