

HS221 Series Sensors

STANDARD FEATURES and ACCESSORIES



	HS221WM	HS221FC	HS221ML	HS221CM
Sensor Mount Type	Wall / Ceiling Mount	Fixed Single Column Floor Mount	Manually Adjustable Single Column Floor Mount	Manually Adjustable Mobile Cabinet Mount
Power Requirements	Supplied by console	Supplied by console	Supplied by console	Supplied by console
HD Targets	✓	✓	✓	✓
Self-Centering	✓	✓	✓	✓
Vertical Camera Adjustment			✓	✓
Mobile - Bay-to-Bay				✓
High Definition Cameras	✓	✓	✓	✓
Multiple Target Storage Configurations	✓	✓	✓	✓

SPECIFICATIONS / MEASUREMENTS / ADJUSTMENTS



SPECIFICATIONS	
Weight of Target	5 kg (11 lbs)
Profile of Target	457 mm (18 in.)
Installation Time	10 - 15 seconds
Rolling Compensation Style	Back / Forward
Camera Resolution	2,608 x 1,952 10,000,000 px
Track Width	2032 mm (80 in.)
Wheel Base	5334 mm (210 in.)
Distance to Wall	1651 - 2464 mm (65 - 97 in.)
Suggested Distance	2464 mm (97 in.)
Short Bay Distance (see site info)	1651 mm (65 in.)

MEASUREMENTS	ProAlign®
S.A.I. & Included Angle	✓
Set Back	✓
Max Steering Angle	To Lock*
Wheelbase Difference	✓
Track Width Difference	✓
Tread Width Difference	✓
Lateral Offset	✓
Rear Set Back	✓
Axle Offset	✓

Continued on Page 2



* Requires standard wide-angle target extensions.

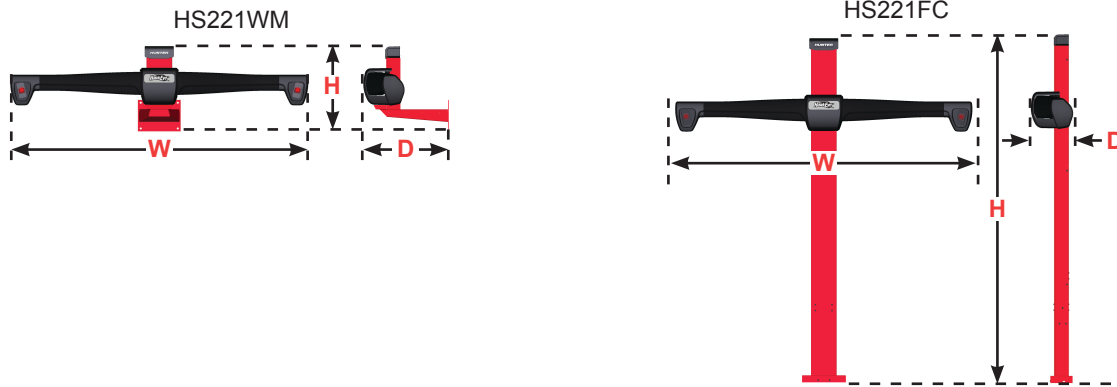
** Requires Ride Height targets. Standard with WA400 consoles. Optional with WA300 consoles.

SPECIFICATIONS

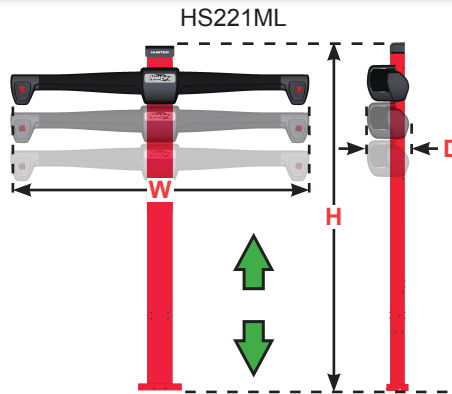
	HS221WM	HS221FC	HS221ML	HS221LC	HS221CM
Width (W)	2667 mm 105 in.	2667 mm 105 in.	2667 mm 105 in.	2667 mm 105 in.	2667 mm 105 in.
Height (H)	762 mm 30 in.	3112 mm 122.5 in.	3112 mm 122.5 in.	3112 mm 122.5 in.	2680 mm 105.5 in.
Depth (D)	381 - 762 mm* 15 - 30 in.*	381 mm 15 in.	381 mm 15 in.	381 mm 15 in.	635 mm 25 in.
Vertical Camera Movement Range	N/A	N/A	1422 - 2883 mm 56 - 113.5 in. (from floor)	1422 - 2883 mm 56 - 113.5 in. (from floor)	1524 - 2426 mm 60-95.5 in. (from floor)

* Use of Wall Mount Extension Kit adds additional 686 - 1143 mm (27 - 45 in.) to depth.

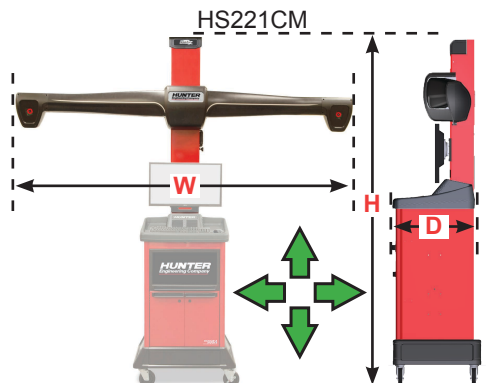
FIXED POSITION CAMERA SENSORS



VERTICALLY ADJUSTABLE CAMERA SENSORS



VERTICALLY ADJUSTABLE MOBILE CABINET CAMERA SENSORS



Continued on Page 3

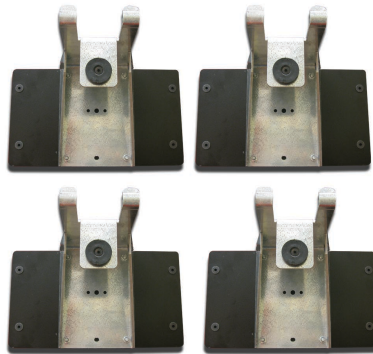
HS221 Series Sensors

INCLUDED WITH ALL HS221 SENSORS

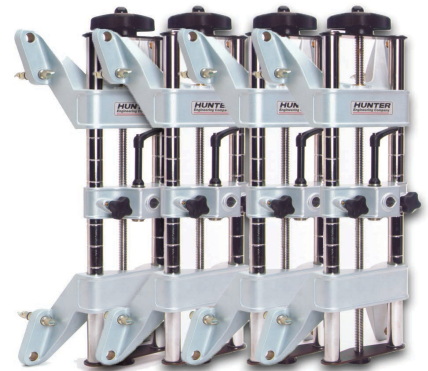
High Definition Targets



Target Storage Brackets



Wheel Adaptors



CONSOLE OPTIONS

